



@CADSTAR™

BEYOND ENGINEERING

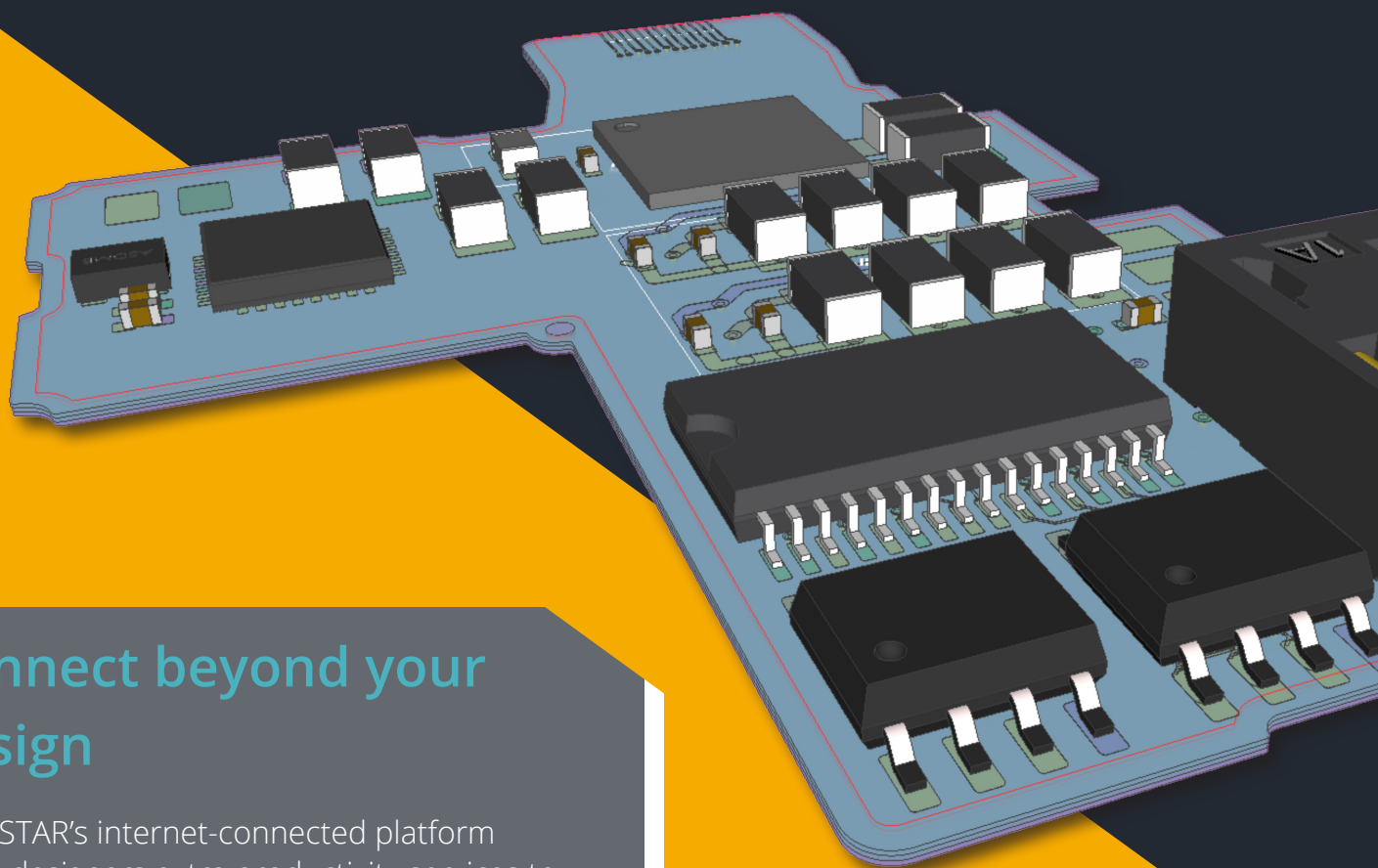
Welcome to eCADSTAR

eCADSTAR is a new, internet-connected PCB design platform integrating all stages of the design flow into a single environment to achieve:

- Reduced design time
- Reduced tool learning time
- Improved overall productivity and quality, leading to cost reduction.

Try team-based design

Engineers can work as a team on a single design, partitioning by functionality or complexity. Cut design time by working concurrently on a section of a board or its functional circuit elements.



Connect beyond your design

eCADSTAR's internet-connected platform offers designers extra productivity services to supercharge their designs.

Web part lookup

Access supported vendors to research part availability and costs, then seamlessly add parts to the library and design.

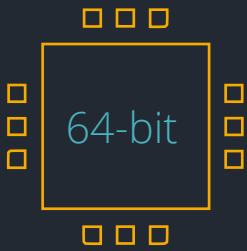
Integrated web browser

Get direct access to support services such as online help and Q&As.

New platform, new technology

Ease-of-use is at the heart of the user experience, with all the key features contained within a single design environment. Familiar functions are reassuringly consistent, while novel features are intuitive to reduce learning time – such as a dual touch screen and mouse interface to increase efficiency and productivity.

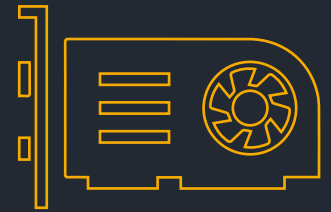
eCADSTAR is based on the latest hardware, meaning superior system performance and peace of mind for future-proofing your business.



64-bit computing



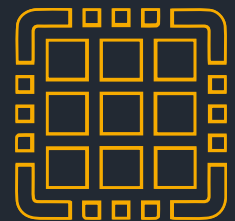
Mouse and touch screen companion operation



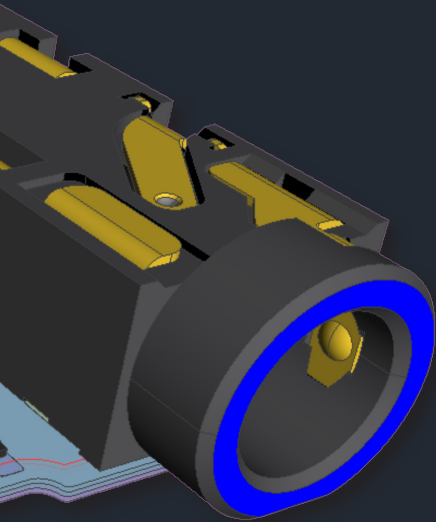
Powerful graphics



2D and 3D design environments



Multi-core processors



Truly integrated design

Addressing design issues early in the development process is key to reducing design iterations, improving quality and reducing costs. eCADSTAR achieves this by breaking down the boundaries between each design phase, integrating all the tools needed in a single design environment, such as:

- Native routing engine
- Seamless 2D/3D design and visualization
- Design and visualize in both 2D and 3D. Collaborate with MCAD, verify MCAD tasks during ECAD design through clearance and collision checking/resolving
- Constraints driven design with SI/PI analysis.



Contact your local distributor
for more information.

@CADSTARTM

www.ecadstar.com